

DN65 TO DN100
MAINLINE ONLY

The information on this sheet is Private and Confidential and is the property of Crane Process Flow Technologies Limited and must not be published directly or indirectly in any manner whatsoever without the written permission of the Company and must not be used in any way detrimental to their interests.
© Crane Process Flow Technologies

CRANE Process Flow Technologies
A Crane Co. Company

Saunders
The Science Inside

Title

SCHEDULE OF LEADING DIMENSIONS FOR DN65 WEIR
'T' BODY WITH ISO 1127 S1 BUTT WELD ENDS

Drawn JRD Date 14.10.11

Checked RND Date 23.03.12

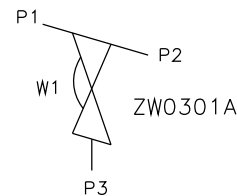
First Angle Projection Method E



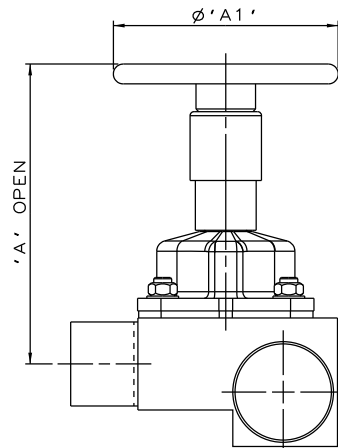
DO NOT SCALE

UNCONTROLLED IN
HARD COPY FORMAT
Drawing No. WEB-079 Issue. 2

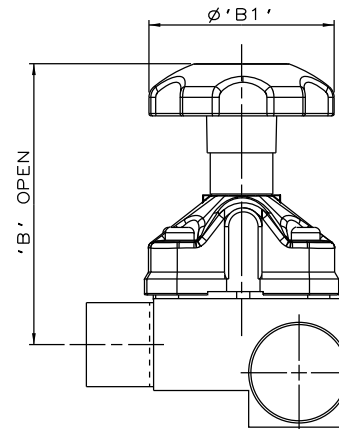
MAINLINE SIZE	A	B	C	D	ϕE	ϕF	G	BODY WEIGHT
mm	mm	mm	mm	mm	mm	mm	mm	Kgs
DN65	50.8	50.8	42.5	55.0	76.1	70.9	41.1	10.0
DN80	50.8	50.8	48.9	61.0	88.9	83.7	41.1	11.7
DN100	101.6	50.8	61.6	72.0	114.3	109.1	41.1	16.3



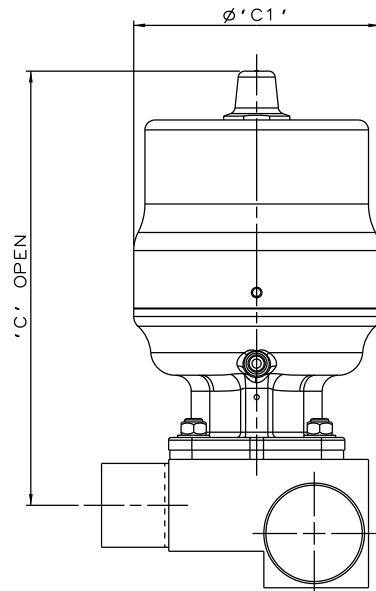
ORIENTATION AS PER
P&ID DIAGRAM FOR
OPTIMUM DRAINABILITY.



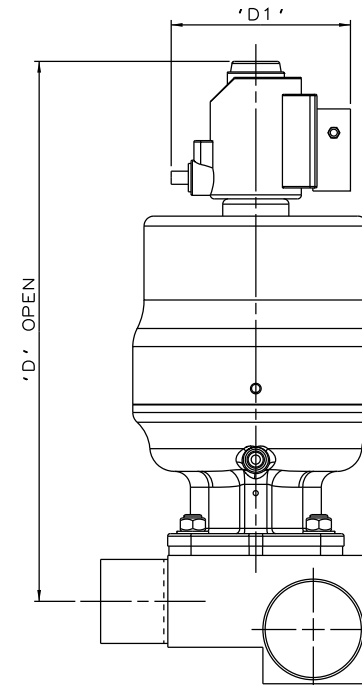
SS NON SEALED
BONNET ASSEMBLY



PES BONNET ASSEMBLY



*S360 ACTUATOR



*S360 ACTUATOR
WITH I-VUE SENSOR

*DIMENSIONS SHOW MAXIMUM ENVELOPE FOR ALL MODES

BRANCH SIZE		A		A1		B		B1		C		C1		D		D1	
mm	inch	mm	inch	mm	inch	mm	inch	mm	inch	mm	inch	mm	inch	mm	inch	mm	inch
DN65	2.50	234.1	9.22	170.0	6.69	227.1	8.94	140.0	5.51	335.1	13.19	186.0	7.32	415.1	16.34	136.0	5.33

The information on this sheet is Private and Confidential and is the property of Crane Process Flow Technologies Limited and must not be published directly or indirectly in any manner whatsoever without the written permission of the Company and must not be used in any way detrimental to their interests.
© Crane Process Flow Technologies

CRANE Process Flow Technologies
A Crane Co. Company

Saunders
The Science Inside

Title
SCHEDULE OF LEADING DIMENSIONS FOR DN65/2.50
WEIR 'T' BODY WITH BUTT ISO 1127 S1 ENDS.
FITTED WITH TOPWORKS OPTIONS

Drawn R1	Date 09.05.17	UNCONTROLLED IN HARD COPY FORMAT
Checked RND	Date 09.05.17	
First Angle Projection Method E	DO NOT SCALE	Drawing No. WEB-079-ASSY
		Issue. 1